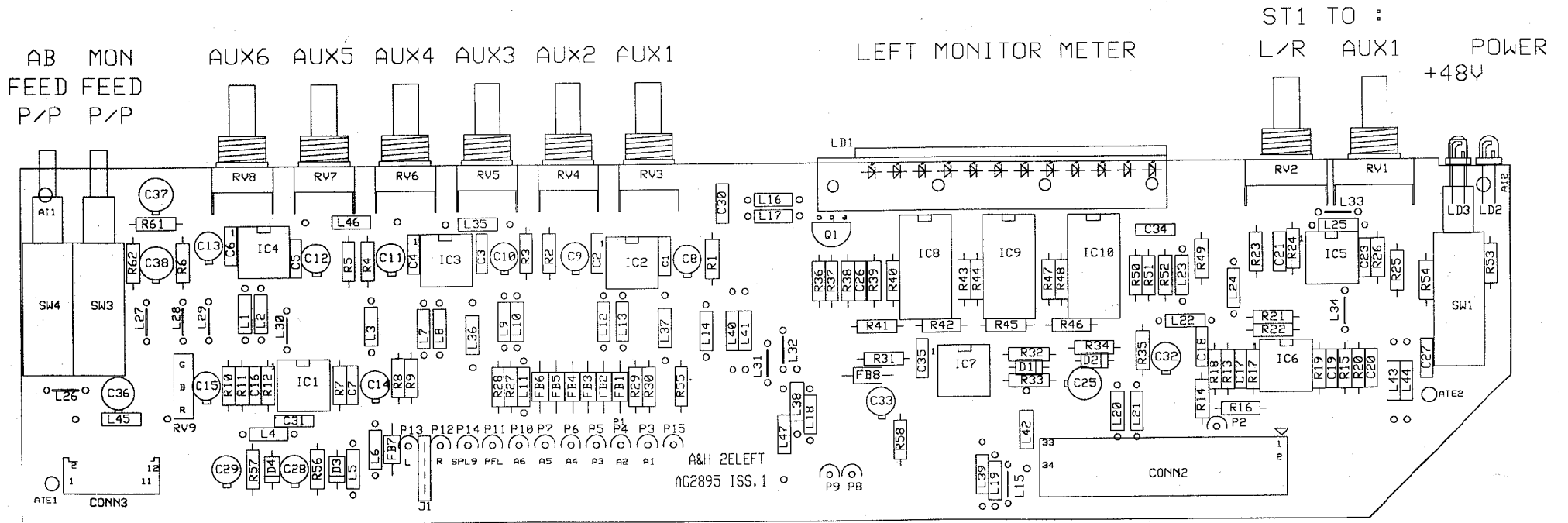


ISS.	REVISION	BY	DATE	NOTES
A	ORIGIN	ARC	20/01/97	1. RESISTORS MARKED # ARE 1%
B	UP ISSUE	DWD	06/02/97	2. ALL STUDS ARE 50/100 UNLESS OTHERWISE MARKED
C	VALUE CHANGES	DWD	14/02/97	3. DECAUCLITE COMPONENTS ARE #40115
1	PRODUCTION	DWD	13/03/97	3. DO NOT MODIFY THIS Ckt. WITHOUT REFERENCE TO OTHER MEMO INPUT Ckts.

1. RESISTORS MARKED # ARE 1%  
 2. ALL STUDS ARE 50/100 UNLESS OTHERWISE MARKED  
 3. DECAUCLITE COMPONENTS ARE #40115  
 3. DO NOT MODIFY THIS Ckt. WITHOUT REFERENCE TO OTHER MEMO INPUT Ckts.

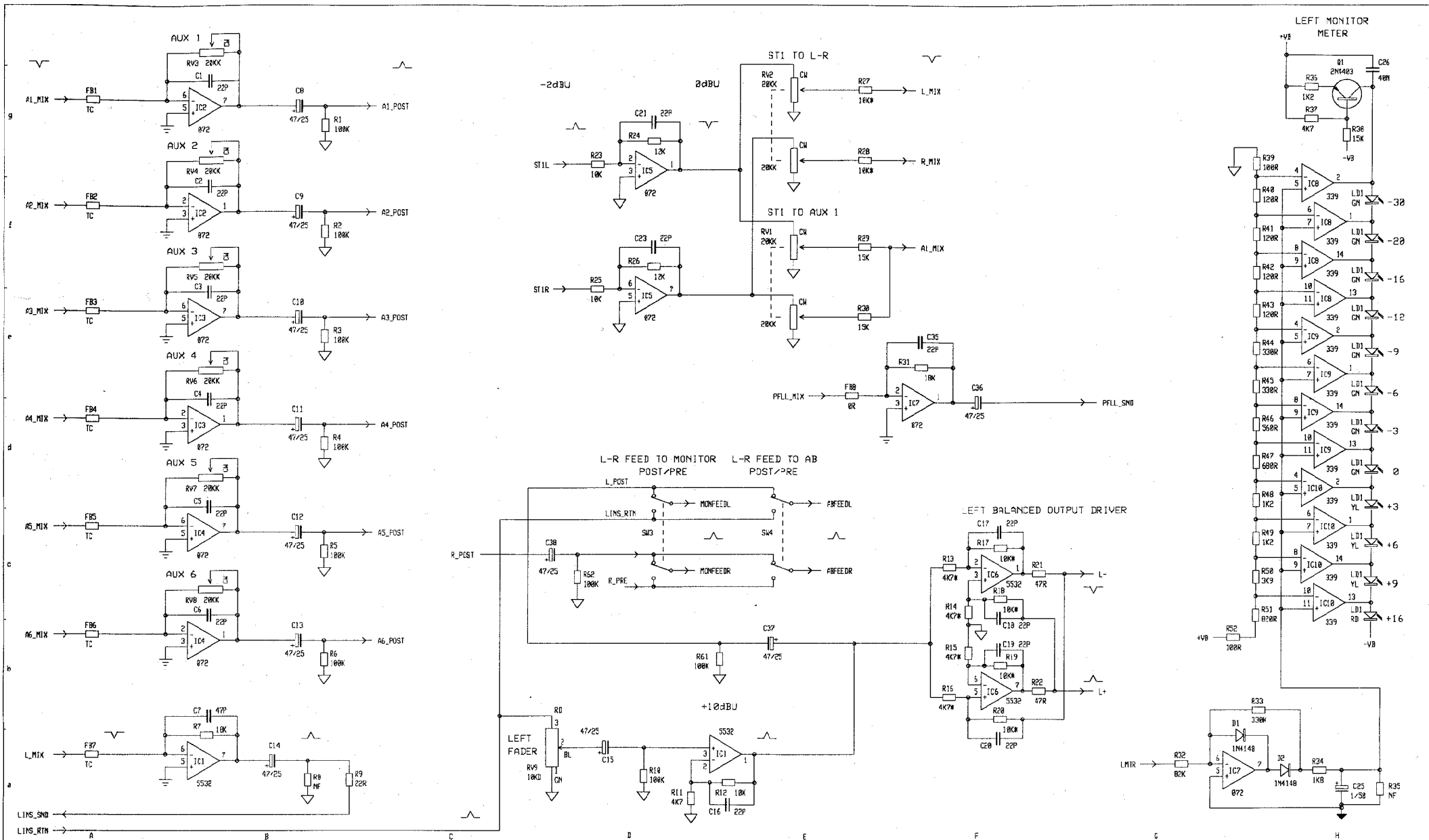
UNIT TITLE	2E-M	MANUFACTURED IN ENGLAND BY	ALLEN & HEATH
DRAWING TITLE	INPUT CIRCUIT DIAGRAM	DRAWING No.	C2894
PCB TYPE	AG2894	ISSUE	1



FLEXI TO RIGHT

TC BUS

34 WAY TO RIGHT AND CONNECTOR PCB



ISS.	REVISION	BY	DATE
A	DRIGIN	DLP	24/01/97
B	RE DESIGN	DRP	07/02/97
1	PRODUCTION	DWD	13/03/97

NOTES

- RESISTORS MARKED 4 ARE 1% ALL OTHERS ARE 5% 1/4W UNLESS OTHERWISE MARKED
- ELECTROLYTIC CAPACITORS ARE µF/VO.LTS

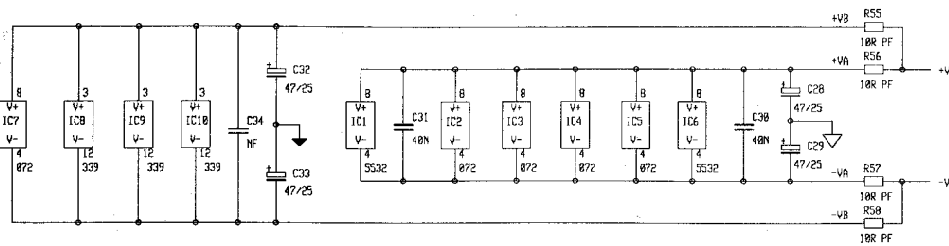
UNIT TITLE  
2E-M  
SHEET 1 OF 2

DRAWING TITLE  
LEFT PCB  
PCB TYPE AC2895

MANUFACTURED IN ENGLAND BY  
RC316

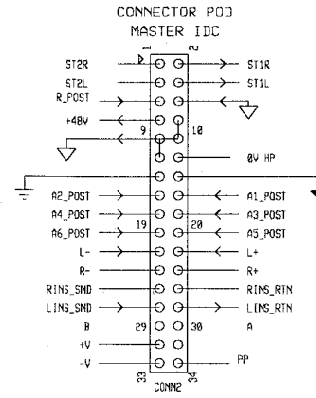
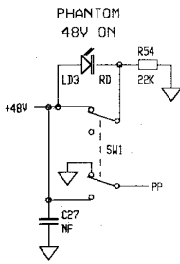
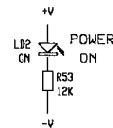
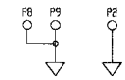
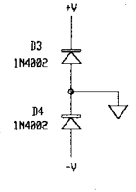
ALLEN & HEATH

DRAWING No. C2895 ISSUE 1

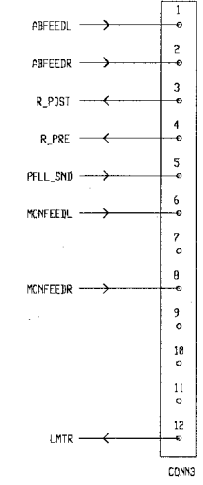


TC BUS

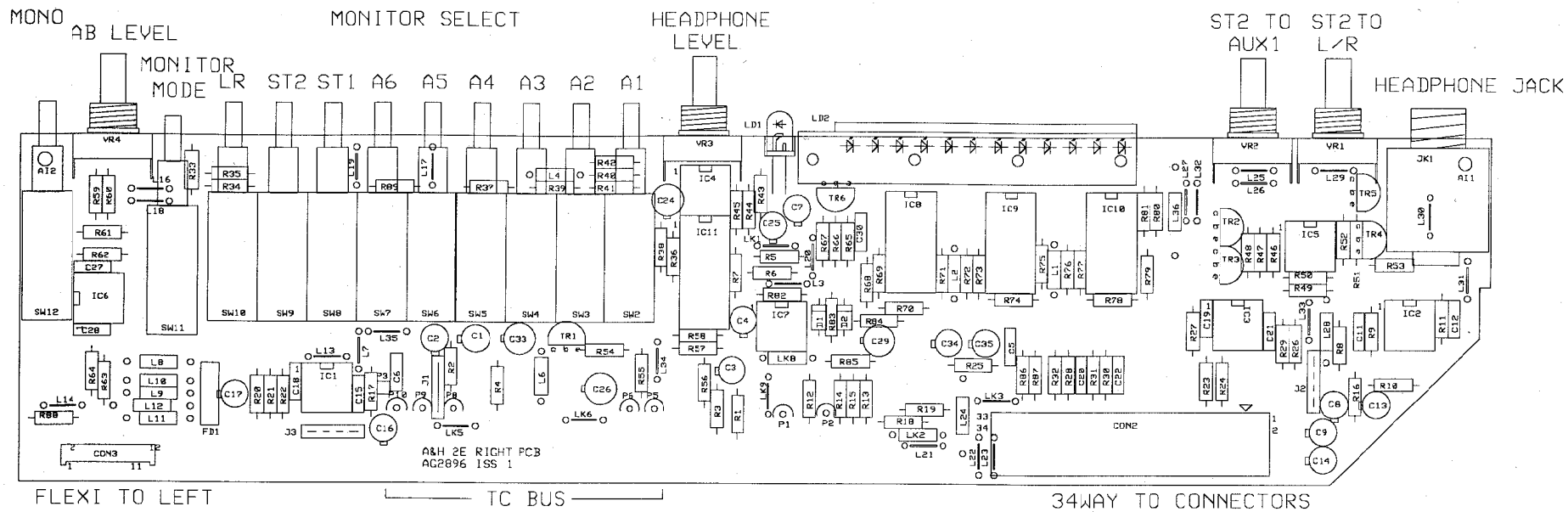
- L\_MIX —○ P13
- R\_MIX —○ P12
- SFL9 —○ P14
- PFL\_MIX —○ P11
- A6\_MIX —○ P10
- A5\_MIX —○ P7
- A4\_MIX —○ P6
- A3\_MIX —○ P5
- A2\_MIX —○ P4
- A1\_MIX —○ P3
- UN84 —○ P15



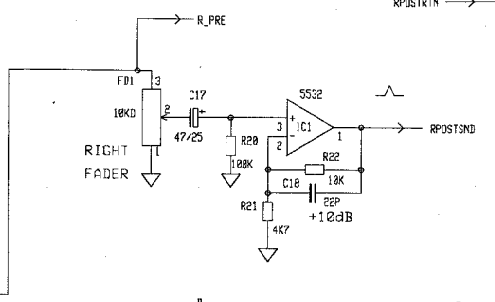
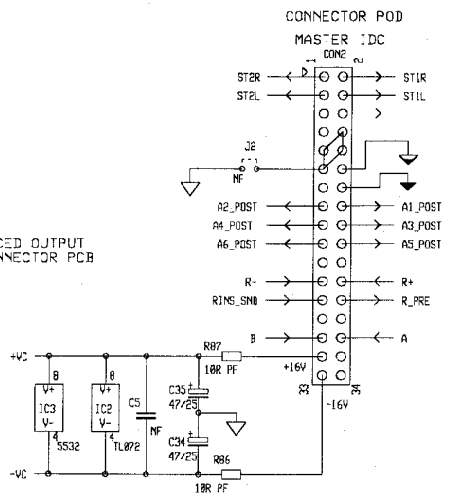
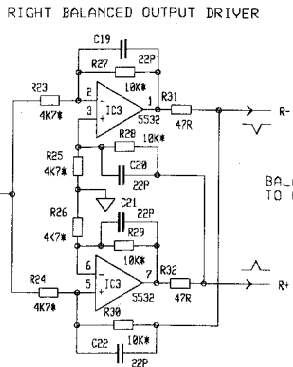
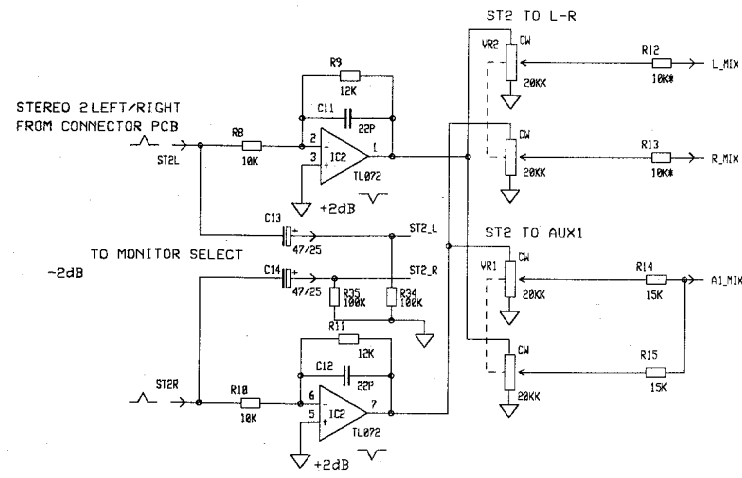
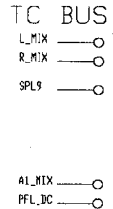
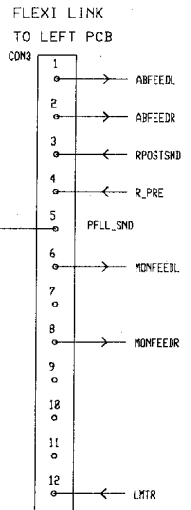
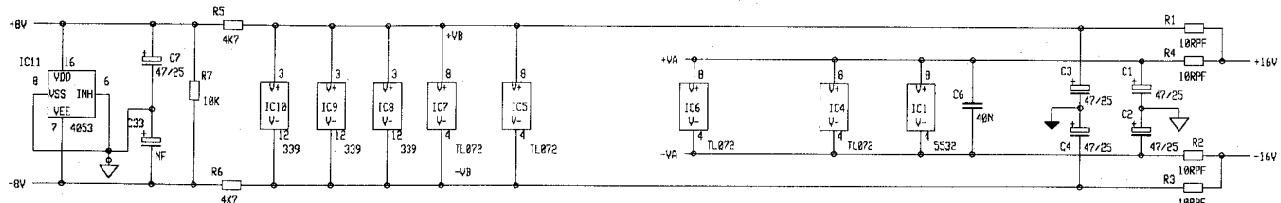
FLEXI LINK  
TO RIGHT PCB



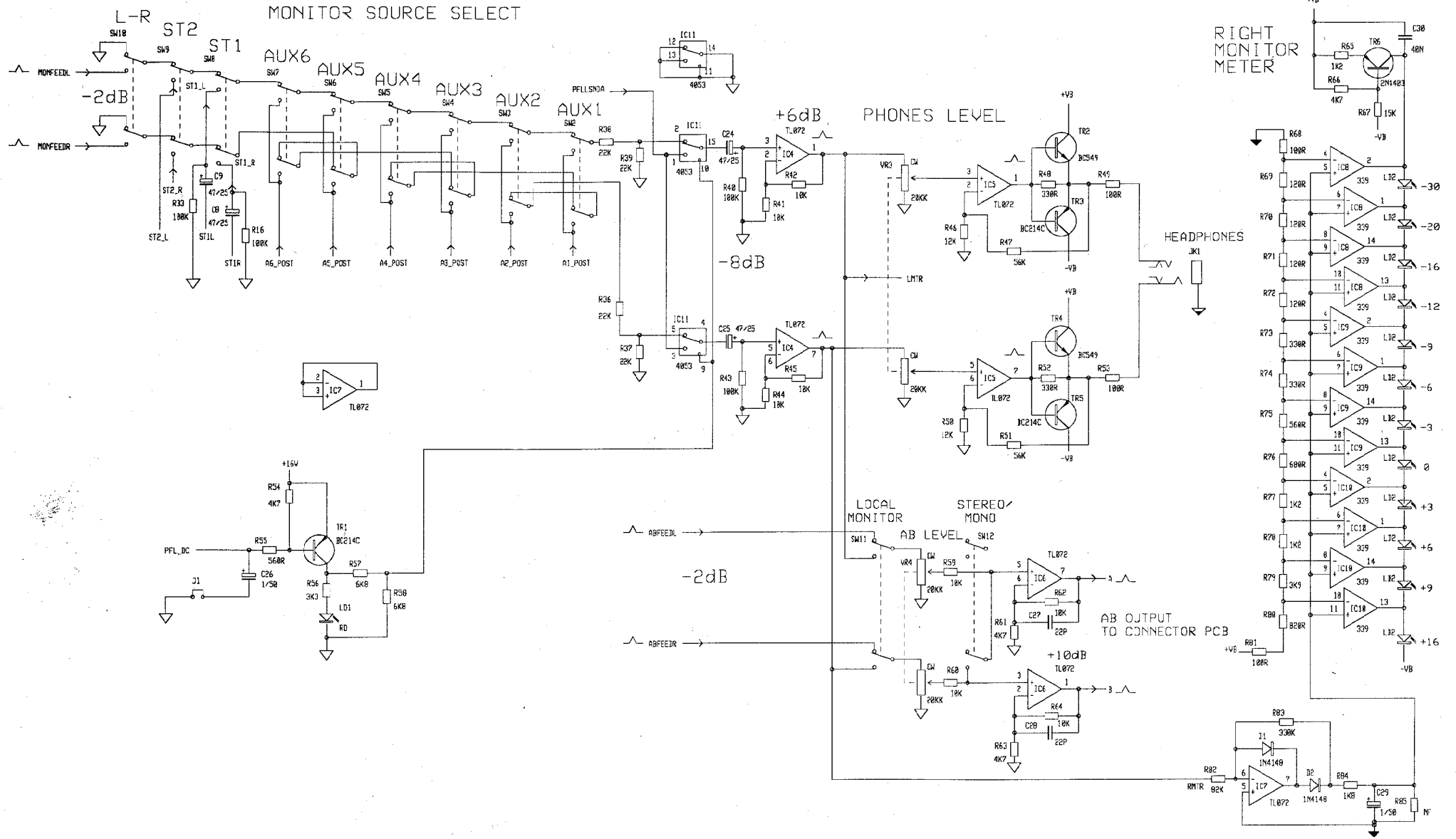
ISS.	REVISION	BY DATE	NOTES	UNIT TITLE	SHEET 2 OF 2	MANUFACTURED IN ENGLAND BY
A B 1	ORIGIN RE DESIGN PRODUCTION	DLP 24/01/97 DRP 07/02/97 DWD 13/03/97	1. RESISTORS MARKED 1 ARE 1% ALL OTHERS ARE 5% 1/4W UNLESS OTHERWISE MARKED 2. ELECTROLYTIC CAPACITORS ARE µF/VOLTS	2E-M		RC316
				DRAWING TITLE	PCB TYPE AC2895	ALLEN & HEATH
						DRAWING No. C2895 ISSUE 1
						A2



# POWER SUPPLY FILTERING



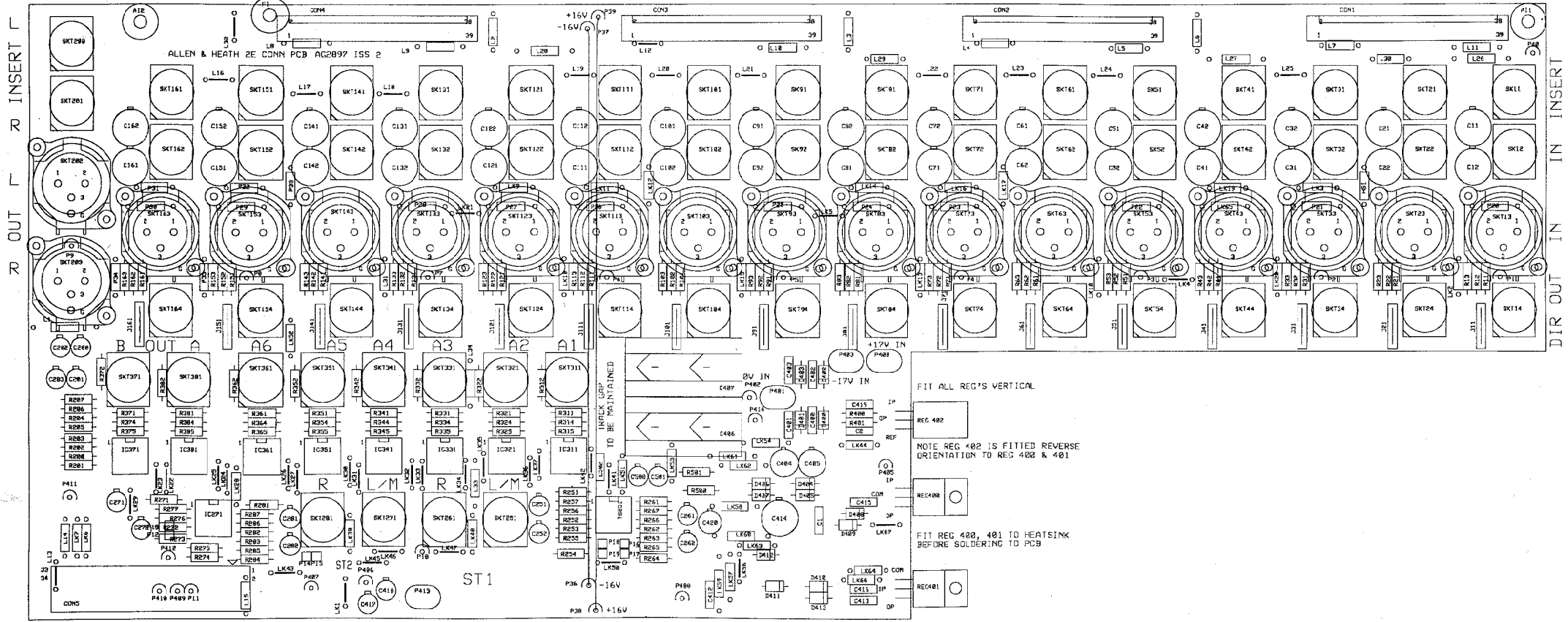
ISS.	REVISION	BY	DATE	NOTES	UNIT TITLE	MANUFACTURED IN ENGLAND BY
A	ORIGIN	ARJ	24/01/97	1. RESISTORS MARKED * ARE 1% ALL OTHERS ARE 5% 1/4W UNLESS OTHERWISE MARKED	2E-M PAGE 1 OF 2	ALLEN & HEATH
B	RE DESIGN	AAT	06/02/97		DRAWING TITLE	DRAWING No. C2896
C	VALUE CHANGES	DWD	18/02/97	2. ELECTROLYTIC CAPACITORS ARE +V/VOLTS	RIGHT PCB	ISSUE 1
1	PRODUCTION	DWD	13/03/97			A2



ISS.	REVISION	BY	DATE	NOTES	UNIT TITLE	MANUFACTURED IN ENGLAND BY
A	ORIGIN	ARJ	24/01/97	1. RESISTORS MARKED * ARE 1% ALL OTHERS ARE 5% 1/4W UNLESS OTHERWISE MARKED	2E-M PAGE 2 OF 2	ALLEN & HEATH
B	RE DESIGN	AAT	06/02/97			
C	VALUE CHANGES	DWD	18/02/97	2. ELECTROLYTIC CAPACITORS ARE µF/VOLTS	DRAWING TITLE	DRAWING No. C2896 ISSUE 1
1	PRODUCTION	DWD	13/03/97		RIGHT PCB	a2



CH 16 CH 15 CH 14 CH 13 CH 12 CH 11 CH 10 CH 9 CH 8 CH 7 CH 6 CH 5 CH 4 CH 3 CH 2 CH 1



FIT ALL REG'S VERTICAL

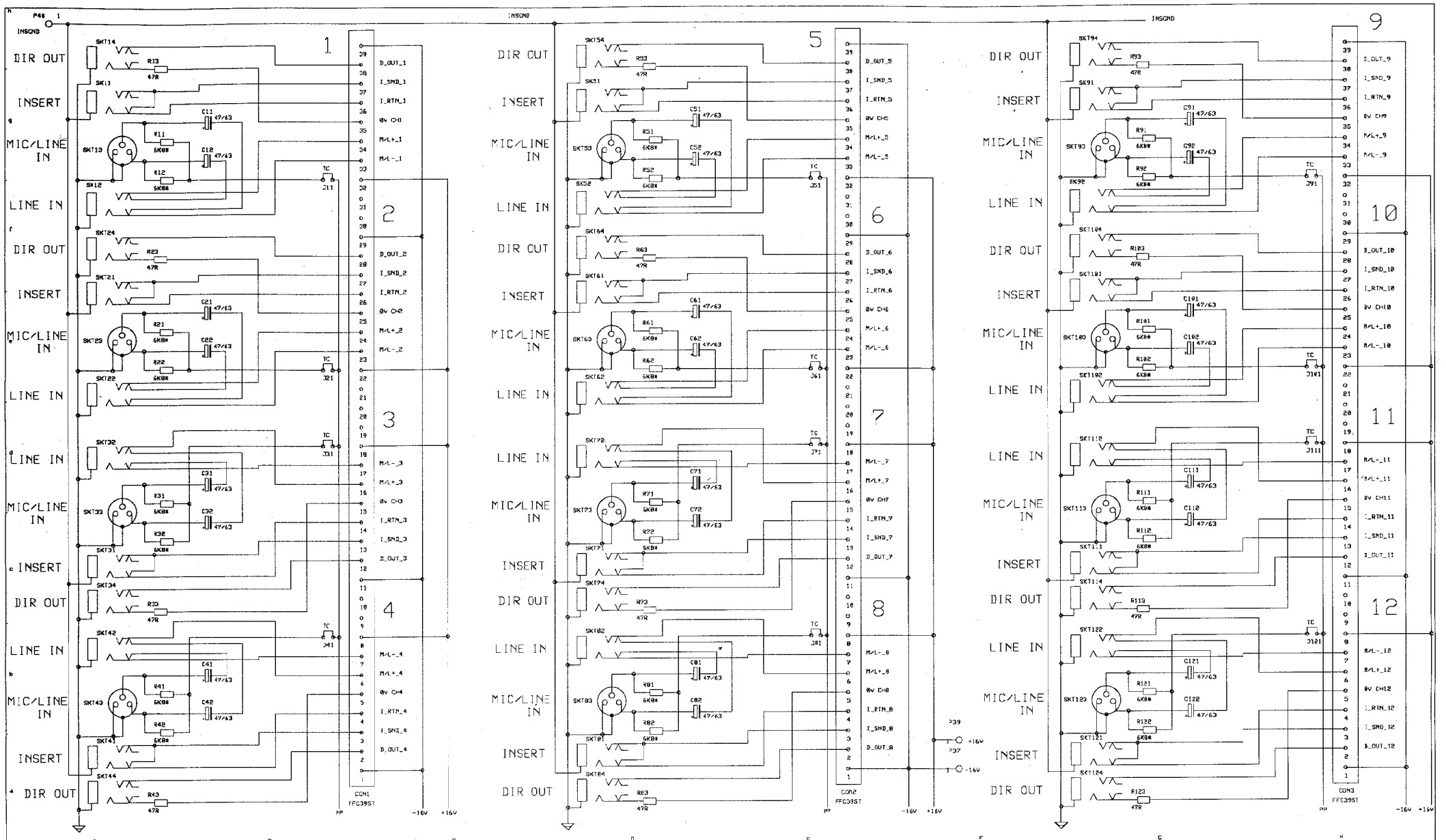
REG 402

NOTE REG 402 IS FITTED REVERSE ORIENTATION TO REG 400 & 401

REG 400

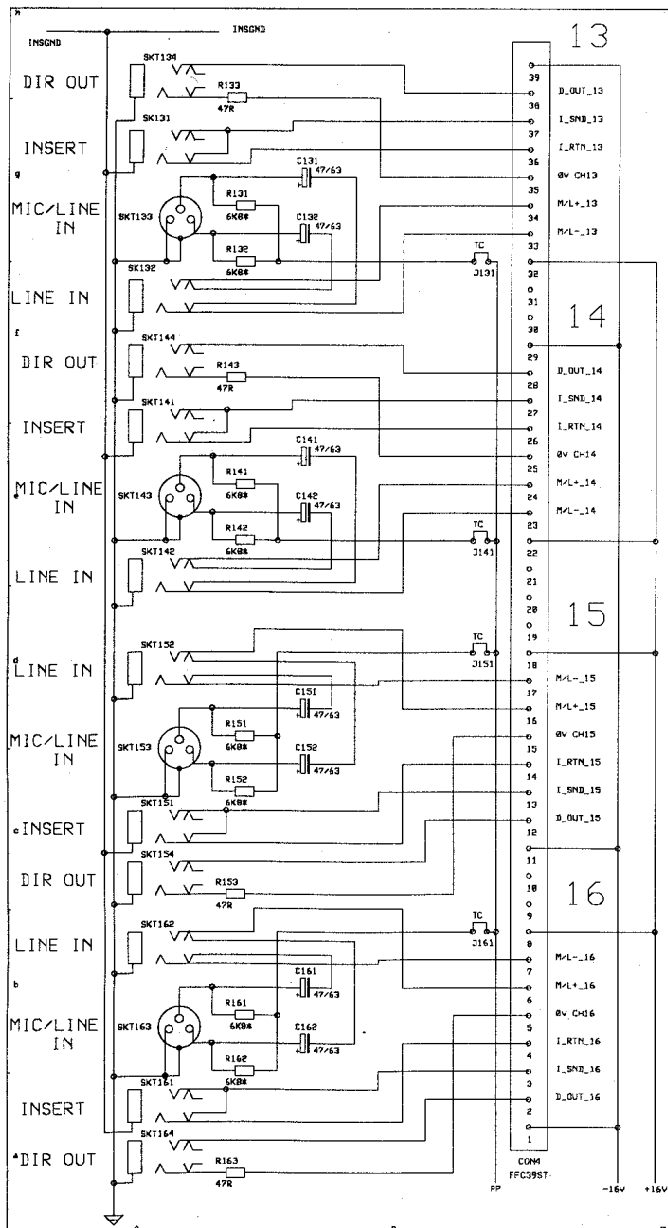
FIT REG 400, 401 TO HEATSINK BEFORE SOLDERING TO PCB

REG 401

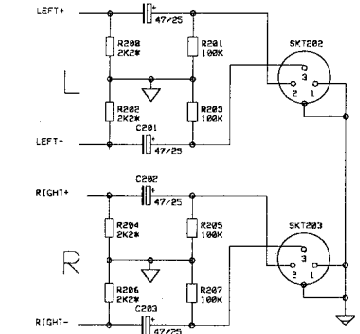


ISS.	REVISION	BY DATE	NOTES	UNIT TITLE	2E-M	MANUFACTURED IN ENGLAND BY
A	ORIGIN	AAT 09-01-97	1. RESISTORS MARKED * ARE 1% ALL OTHERS ARE 5% 1/4W UNLESS OTHERWISE MARKED	DRAWING TITLE	CONNECTOR PCB	ALLEN & HEATH
B	EARTH+POWER MODS	AAT 11-02-97	2. ELECTROLYTIC CAPACITORS ARE µF-VOLTS			
C	IC AND SKT MODS	DWD 18/02/97				
1	PRODUCTION	DRP 13/03/97				
					PCB TYPE AG2897	DRAWING No. C2897 ISSUE 1

A2



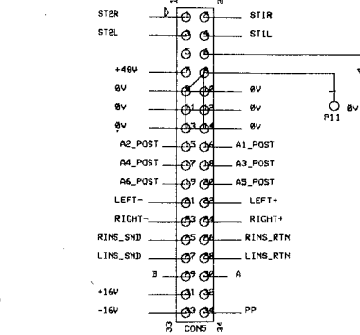
### L & R BALANCED OUTPUT



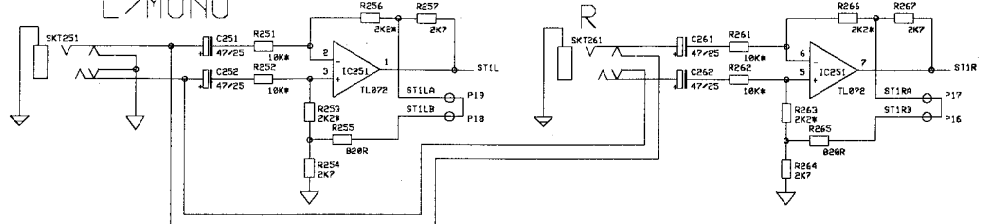
### L & R INSERT



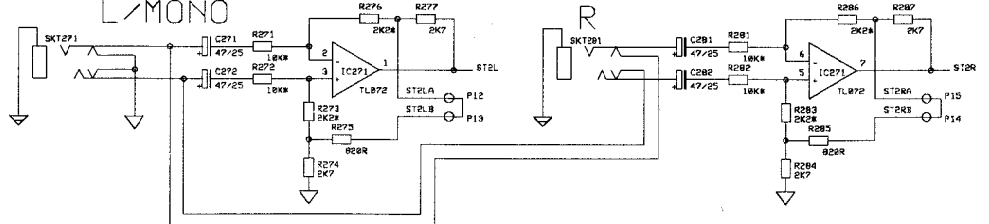
### MASTER SECTION 34 WAY IDC



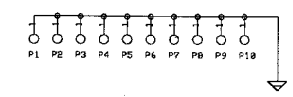
### STEREO IN 1



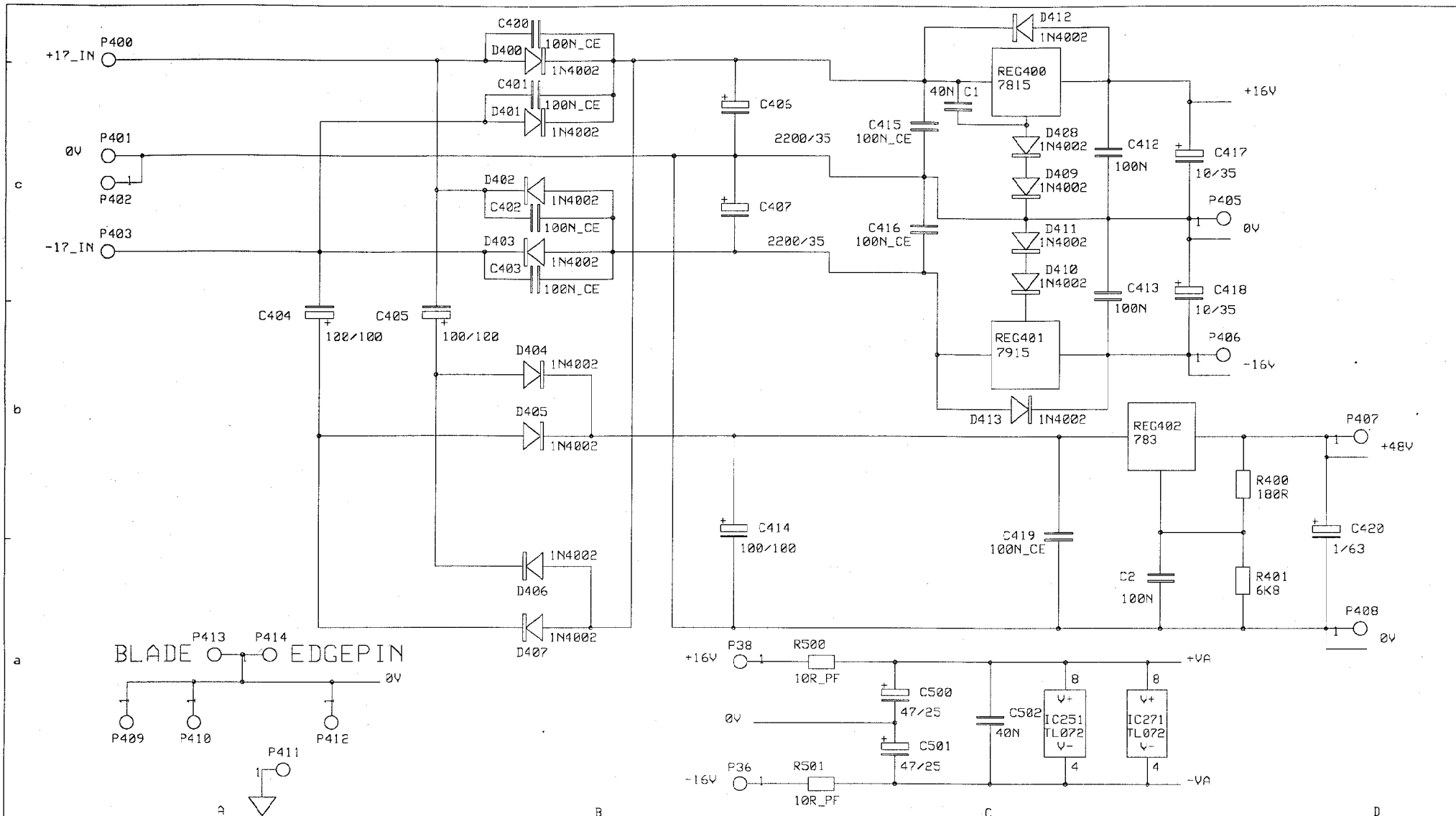
### STEREO IN 2



### CONNECTOR EARTH



ISS.	REVISION	BY DATE	NOTES	UNIT TITLE	MANUFACTURED IN ENGLAND BY
A	ORIGIN	AAT 09-01-97	1. RESISTORS MARKED * ARE 1% ALL OTHERS ARE 5% 1/4W UNLESS OTHERWISE MARKED	2E-M	ALLEN & HEATH
B	EARTH+POWER MODS	AAT 11-02-97		DRAWING TITLE	
C	IC AND SKT MODS	DWD 18/02/97	2. ELECTROLYTIC CAPACITORS ARE 10% VOLTS	CONNECTOR PCB	DRAWING No. C2897
I	PRODUCTION	DRP 13/03/97		PCB TYPE AG2897	ISSUE 1



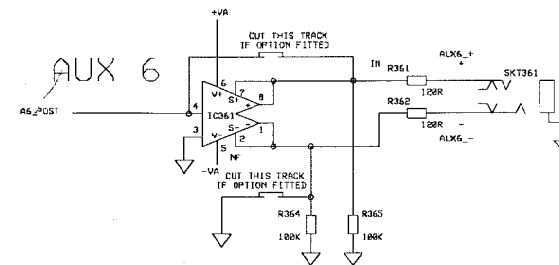
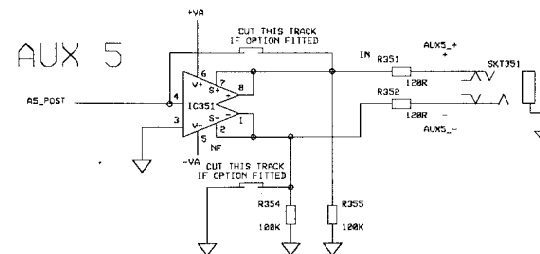
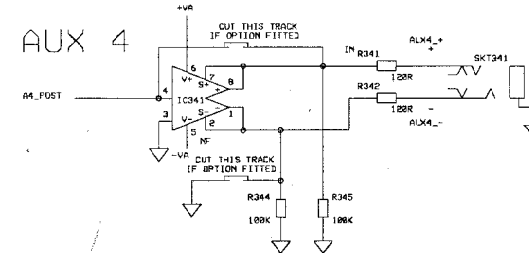
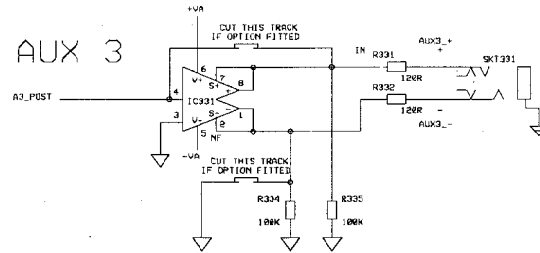
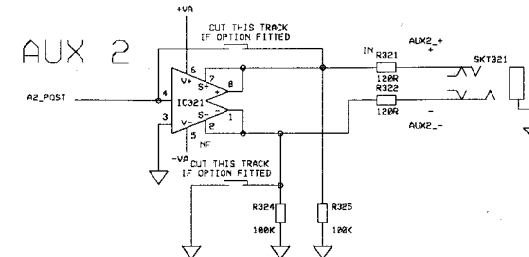
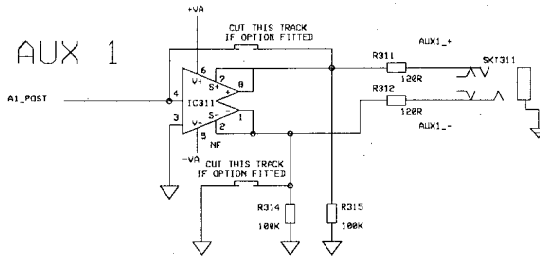
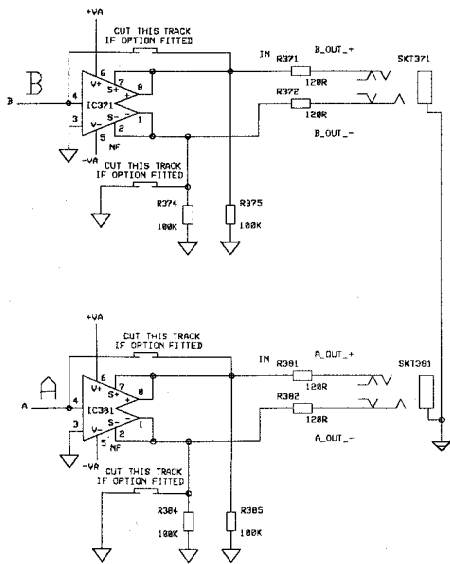
ISS.	REVISION	BY	DATE	NOTES	UNIT TITLE	MANUFACTURED IN ENGLAND BY		
A	ORIGIN	AAT	09-01-97	1. RESISTORS MARKED * ARE 1% ALL OTHERS ARE 5% 1/4W UNLESS OTHERWISE MARKED	2E-M	ALLEN & HEATH		
B	EARTH+PWR MODS	AAT	11-02-97					
C	IC AND SKT MODS	DWD	18-02-97	2. ELECTROLYTIC CAPACITORS ARE µF/VOLTS	DRAWING TITLE	PAGE 3 OF 4	DRAWING No. C2897	
1	PRODUCTION	DRP	13/03/97		CONNECTOR PCB	PCB TYPE AC2897	ISSUE 2	A4
2	PHANTOM PWR MOD	DWD	14-04-97					

AUX OUT 1-6

BALANCED OUTPUT OPTION.  
FOR BALANCED OPTION FIT SSM2142  
INTO POSITIONS IC311, 321, 331, 341,  
351, 361, 371 AND 381.

NOTE: CUT TRACK AS NOTED IN 16  
POSITIONS

A & B OUT



ISS.	REVISION	BY	DATE	NOTES	UNIT TITLE	MANUFACTURED IN ENGLAND BY
A	ORIGIN	AAT	09-01-97	1. RESISTORS MARKED * ARE 1% ALL OTHERS ARE 5% 1/4W UNLESS OTHERWISE MARKED 2. ELECTROLYTIC CAPACITORS ARE µF-VOLTS	2E-M	ALLEN & HEATH
B	EARTH + POWER MODS	AAT	11-02-97			
C	IC AND SKT MODS	DWD	18/02/97		DRAWING TITLE	PAGE 4 OF 4
1	PRODUCTION	DRP	13/03/97		CONNECTOR PCB	DRAWING No. C2897